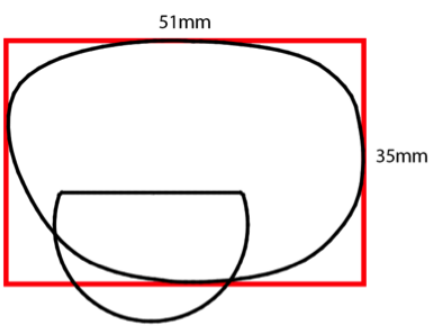


TIPS

FOR MEASURING A PROPER ED USING THE BOX METHOD

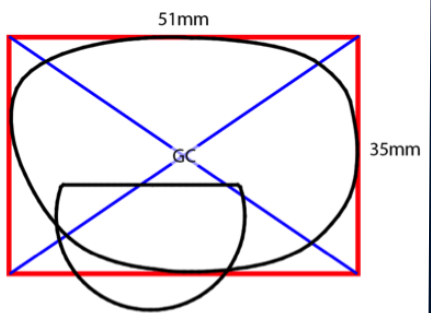
STEP 1



Draw a Box Around Your Lens Tracing

Create a box around the lens by drawing two vertical lines on each side and two horizontal lines on the top and bottom. The top line will be your A measurement and the vertical line is your B measurement.

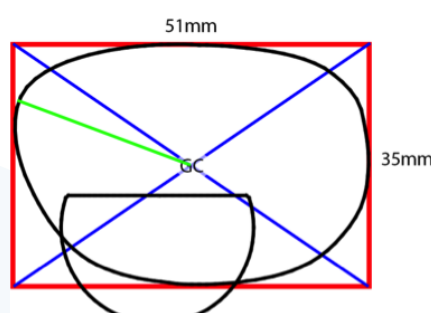
STEP 2



Find The Geometric Center (GC)

To find the geometric center, all you need to do is draw an "X" inside of the box from corner to corner.

STEP 3



Use The GC To Measure The ED

Once you find the GC, you can accurately detect which distance is your longest point. Measure from the GC to the furthest point and multiply that by two.