

#1

PROGRESSIVE LENS
BRAND RECOMMENDED
BY OPTOMETRISTS AND OPTICIANS*

Varilux® Fit Measuring Tool

Personalized lenses
for superior performance

*Survey conducted in 2018 by an independent third party, sponsored by Essilor.
Results were reported by independent opticians and optometrists.



ESSILOR

Varilux®

PROVIDING SUPERIOR VISUAL PERFORMANCE WITH VARILUX® FIT PROGRESSIVE LENSES

Your patient's vision is affected by their:

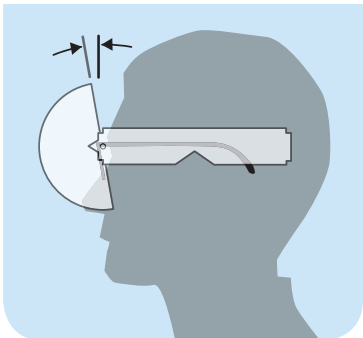
- Progressive Lens Design
- Frame Position of Wear

Incorrect position of wear measurements compromises the visual performance of your patient's lenses.

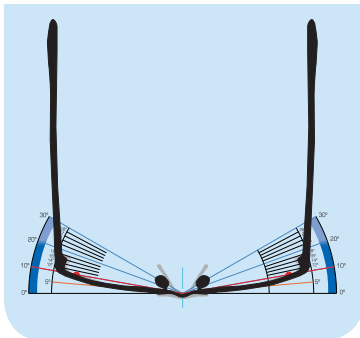
Accurate position of wear measurements assures outstanding visual performance for each patient.

The Varilux® Fit Tool is used to take the following measurements:

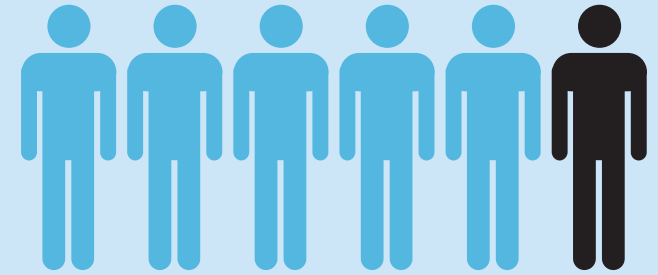
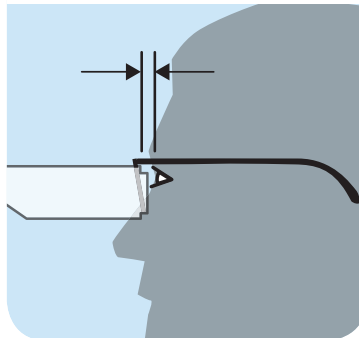
1 Pantoscopic Tilt



2 Wrap Angle



3 Vertex Distance



DID YOU KNOW? More than 90% of patients do not fit the standard default values for Pantoscopic Tilt, Wrap Angle, and Vertex Distance?*

* Source: Data on file. Average values: Vertex: 12mm / Wrap: 7° / Pantoscopic Tilt: 8°

Superior visual performance is assured with Varilux® progressive lens designs:

- Varilux® X FIT lenses
- Varilux® Physio® W3+ FIT lenses
- Varilux® Comfort Max FIT lenses





VARILUX® LENSES AVAILABILITY

for Eyecare Professionals

Effective JAN 2021

VARILUX® X FIT LENS ID Fe

MATERIAL	PRODUCT	INDEX	G	B	GG	COLORS	G1	B1	G-G	C	R	ESC	POWER RANGE	ADD POWER*	MAX CYLINDER
PLASTIC	★ Clear	1.50											-10.00 to +6.00	0.75 to 4.00D	-6.00
	Essilor Polarized	1.50	✓	✓									-10.00 to +6.00	0.75 to 4.00D	-6.00
	Xperio UV™ Polarized	1.50	✓	✓									-10.00 to +6.00	0.75 to 4.00D	-6.00
	Transitions® Signature® GEN 8™	1.50	✓	✓	✓								-10.00 to +6.00	0.75 to 4.00D	-6.00
	Transitions® XTRActive®	1.50	✓	✓									-10.00 to +6.00	0.75 to 4.00D	-6.00
TREXA® (TRIVEX®)	★ Clear	1.53											-10.00 to +6.00	0.75 to 4.00D	-6.00
	Transitions Signature GEN 8	1.53	✓	✓									-10.00 to +6.00	0.75 to 4.00D	-6.00
AIRWEAR® (POLYCARBONATE)	★ Clear	1.59													-6.00
	Essilor Polarized	1.59	✓	✓									-10.00 to +6.00	0.75 to 4.00D	-6.00
	Xperio UV Polarized	1.59	✓	✓									-10.00 to +6.00	0.75 to 4.00D	-6.00
	Transitions Signature GEN 8	1.59	✓	✓	✓	✓							-10.00 to +6.00	0.75 to 4.00D	-6.00
	Transitions XTRActive	1.59	✓SM	✓SM	✓								-10.00 to +6.00	0.75 to 4.00D	-6.00
THIN & LITE®	★ Clear	1.67											-12.00 to +9.00	0.75 to 4.00D	-6.00
	Transitions Signature GEN 8	1.67	✓	✓	✓	✓							-12.00 to +9.00	0.75 to 4.00D	-6.00
	Transitions XTRActive	1.67	✓SM	✓	✓								-12.00 to +9.00	0.75 to 4.00D	-6.00
	★ Clear**	1.74											-14.00 to +13.00	0.75 to 4.00D	-6.00
	Transitions Signature GEN 8**	1.74	✓	✓									-14.00 to +13.00	0.75 to 4.00D	-6.00

MFH=14mm

NOTES: All Varilux digital lenses require a hard coat. Essilor AR stacks are required when No-Glare lens treatment is applied (for example, Crizal® No-Glare lenses).

*ADD Power in steps of 0.25D. At fitting height less than 17mm, ADD power is up to +3.50.

***THIN & LITE* 1.74 lenses come systematic with choice of Crizal® Prevensia®, Crizal Sapphire® 360° UV, Crizal® Avancé UV™ or Crizal® Alizé UV™.

★ Available in **Essential Blue Series®** lenses.

G: Gray, B: Brown, GG: Graphite Green, Colors: *Transitions Signature* style colors in Sapphire, Amethyst, Amber, or Emerald, G1: Gray 1, B1: Brown 1, G-G: Gray-Green, C: Copper, R: Ruby, ESC: Essilor Sun Colors

✓ Currently Available

SM Available in *Transitions XTRActive* style mirrors in the following six flash mirror colors: Gold, Silver Shadow, Blue, Green, Pink, and Red.





VARILUX® LENSES AVAILABILITY

for Eyecare Professionals

Effective JAN 2021

VARILUX® PHYSIO® W3+ FIT

TEMPORAL **F** NASAL **H**

MATERIAL	PRODUCT	INDEX	G	B	GG	COLORS	G1	B1	G-G	C	R	ESC	POWER RANGE	BASE CURVES	ADD POWER*	CYLINDER
PLASTIC	★ Clear	1.50											-10.00 to +6.00	2.00, 3.25, 4.50, 5.75, 7.25	0.75 to 3.50, 4.00D	-6.00
	Essilor Polarized	1.50	✓	✓			✓					☼	-10.00 to +6.00	2.00, 3.25, 4.50, 5.75, 7.25	0.75 to 3.50, 4.00D	-6.00
	Xperio UV™ Polarized	1.50	✓	✓			✓					☼	-10.00 to +6.00	2.00, 3.25, 4.50, 5.75, 7.25	0.75 to 3.50, 4.00D	-6.00
	Transitions® Signature® GEN 8™	1.50	✓	✓	✓								-10.00 to +6.00	2.00, 3.25, 4.50, 5.75, 7.25	0.75 to 3.50, 4.00D	-6.00
	Transitions® XTRActive®	1.50	✓										-10.00 to +6.00	2.00, 3.25, 4.50, 5.75, 7.25	0.75 to 3.50, 4.00D	-6.00
TREXA® (TRIVEX®)	★ Clear	1.53											-10.00 to +6.00	2.00, 3.25, 4.50, 5.75, 7.25	0.75 to 3.50, 4.00D	-6.00
	Transitions® Signature® GEN 8™	1.53	✓	✓	✓								-10.00 to +6.00	2.00, 3.25, 4.50, 5.75, 7.25	0.75 to 3.50, 4.00D	-6.00
	Transitions XTRActive	1.53	✓	✓	✓								-10.00 to +6.00	2.00, 3.25, 4.50, 5.75, 7.25	0.75 to 3.50, 4.00D	-6.00
AIRWEAR® (POLYCARBONATE)	★ Clear	1.59											-10.00 to +6.00	1.75, 3.00, 4.00, 5.50, 7.25	0.75 to 3.50, 4.00D	-6.00
	Essilor Polarized	1.59	✓	✓			✓					☼	-10.00 to +6.00	1.75, 3.00, 4.00, 5.50, 7.25	0.75 to 3.50, 4.00D	-6.00
	Xperio UV Polarized	1.59	✓	✓			✓					☼	-10.00 to +6.00	1.75, 3.00, 4.00, 5.50, 7.25	0.75 to 3.50, 4.00D	-6.00
	Transitions Signature GEN 8	1.59	✓	✓									-10.00 to +6.00	1.75, 3.00, 4.00, 5.50, 7.25	0.75 to 3.50, 4.00D	-6.00
	Transitions XTRActive	1.59	✓SM	✓SM									-10.00 to +6.00	1.75, 3.00, 4.00, 5.50, 7.25	0.75 to 3.50, 4.00D	-6.00
THIN & LITE®	Clear	1.60											-12.00 to +8.00	1.75, 3.00, 4.00, 5.50, 7.00, 8.00	0.75 to 3.50, 4.00D	-6.00
	Transitions® Signature® GEN 8™	1.60	✓	✓									-12.00 to +8.00	1.75, 3.00, 4.00, 5.50, 7.00, 8.00	0.75 to 3.50, 4.00D	-6.00
	★ Clear	1.67											-14.00 to +9.00	1.75, 2.75, 3.75, 5.25, 6.50, 8.00	0.75 to 3.50, 4.00D	-6.00
	Essilor Polarized	1.67	✓	✓									-14.00 to +9.00	1.75, 2.75, 3.75, 5.25, 6.50, 8.00	0.75 to 3.50, 4.00D	-6.00
	Xperio UV Polarized	1.67	✓	✓									-14.00 to +9.00	1.75, 2.75, 3.75, 5.25, 6.50, 8.00	0.75 to 3.50, 4.00D	-6.00
	Transitions Signature GEN 8	1.67	✓	✓	✓								-14.00 to +9.00	1.75, 2.75, 3.75, 5.25, 6.50, 8.00	0.75 to 3.50, 4.00D	-6.00
	Transitions XTRActive	1.67	✓SM	✓SM	✓								-14.00 to +9.00	1.75, 2.75, 3.75, 5.25, 6.50, 8.00	0.75 to 3.50, 4.00D	-6.00
	★ Clear**	1.74											-18.00 to +13.00	1.75, 2.75, 3.75, 5.25, 6.50, 8.00, 10.00	0.75 to 3.50, 4.00D	-6.00
	Transitions Signature GEN 8	1.74	✓										-18.00 to +13.00	0.75, 1.75, 2.75, 3.75, 5.25, 6.50, 8.00, 10.00	0.75 to 3.50, 4.00D	-6.00

MFH=14mm
 NOTES: All Varilux digital lenses require a hard coat. Essilor AR stacks are required when No-Glare lens treatment is applied (for example, Crizal® No-Glare lenses).

- *ADD Power in steps of 0.25D. At fitting height less than 17mm, ADD power is up to +3.00.
- **THIN & LITE 1.74 lenses come systematic with choice of Crizal® Previncia®, Crizal® Sapphire® 360° UV, Crizal® Avancé UV™ or Crizal® Alizé UV™.
- ★ Available in Essential Blue Series® lenses.
- G: Gray, B: Brown, GG: Graphite Green, Colors: Transitions Signature style colors in Sapphire, Amethyst, Amber, or Emerald, G1: Gray 1, B1: Brown 1, G-G: Gray-Green, C: Copper, R: Ruby, ESC: Essilor Sun Colors
- ✓ Currently Available
- SM Available in Transitions XTRActive style mirrors in the following six flash mirror colors: Gold, Silver Shadow, Blue, Green, Pink, and Red.
- ☼ Essilor Sun Colors (solid or gradient: gray mist, sienna brown, forest gray, grape, plum, emerald blue)





VARILUX® LENSES AVAILABILITY

for Eyecare Professionals

Effective JAN 2021

VARILUX® COMFORT MAX FIT



MATERIAL	PRODUCT	INDEX	G	B	GG	COLORS	G1	B1	G-G	C	R	ESC	POWER RANGE	BASE CURVES	ADD POWER*	CYLINDER
PLASTIC	★ Clear	1.50											-10.00 to +6.00	2.00, 3.25, 4.50, 5.75, 7.25	0.75 to 3.50D	-6.00
	Essilor Polarized	1.50	✓	✓			✓						-10.00 to +6.00	2.00, 3.25, 4.50, 5.75, 7.25	0.75 to 3.50D	-6.00
	Xperio UV™ Polarized	1.50	✓	✓									-10.00 to +6.00	2.00, 3.25, 4.50, 5.75, 7.25	0.75 to 3.50D	-6.00
	Transitions® Signature® GEN 8™	1.50	✓	✓									-10.00 to +6.00	2.00, 3.25, 4.50, 5.75, 7.25	0.75 to 3.50D	-6.00
	Transitions® XTRActive®	1.50	✓										-10.00 to +6.00	2.00, 3.25, 4.50, 5.75, 7.25	0.75 to 3.50D	-6.00
TREXA® (TRIVEX®)	★ Clear	1.53											-10.00 to +6.00	2.00, 3.25, 4.50, 5.75, 7.25	0.75 to 3.50D	-6.00
	Transitions Signature GEN 8	1.53	✓	✓									-10.00 to +6.00	2.00, 3.25, 4.50, 5.75, 7.25	0.75 to 3.50D	-6.00
	Transitions XTRActive	1.53	✓										-10.00 to +6.00	2.00, 3.25, 4.50, 5.75, 7.25	0.75 to 3.50D	-6.00
AIRWEAR® (POLYCARBONATE)	★ Clear	1.59											-10.00 to +6.00	1.75, 3.00, 4.00, 5.50, 7.25	0.75 to 3.50D	-6.00
	Essilor Polarized	1.59	✓	✓			✓						-10.00 to +6.00	1.75, 3.00, 4.00, 5.50, 7.25	0.75 to 3.50D	-6.00
	Xperio UV™ Polarized	1.59	✓	✓									-10.00 to +6.00	1.75, 3.00, 4.00, 5.50, 7.25	0.75 to 3.50D	-6.00
	Transitions Signature GEN 8	1.59	✓	✓		✓							-10.00 to +6.00	1.75, 3.00, 4.00, 5.50, 7.25	0.75 to 3.50D	-6.00
	Transitions XTRActive	1.59	✓SM	✓SM									-10.00 to +6.00	1.75, 3.00, 4.00, 5.50, 7.25	0.75 to 3.50D	-6.00
THIN & LITE®	Clear	1.60				✓							-12.00 to +8.00	1.75, 3.00, 4.00, 5.50, 7.00, 8.00	0.75 to 3.50D	-6.00
	Transitions Signature GEN 8	1.60	✓	✓									-12.00 to +8.00	1.75, 3.00, 4.00, 5.50, 7.00, 8.00	0.75 to 3.50D	-6.00
	★ Clear	1.67											-14.00 to +9.00	1.75, 2.75, 3.75, 5.25, 6.50, 8.00	0.75 to 3.50D	-6.00
	Essilor Polarized	1.67	✓	✓									-14.00 to +9.00	1.75, 2.75, 3.75, 5.25, 6.50, 8.00	0.75 to 3.50D	-6.00
	Xperio UV Polarized	1.67	✓	✓									-14.00 to +9.00	1.75, 2.75, 3.75, 5.25, 6.50, 8.00	0.75 to 3.50D	-6.00
	Transitions Signature GEN 8	1.67	✓	✓		✓							-14.00 to +9.00	1.75, 2.75, 3.75, 5.25, 6.50, 8.00	0.75 to 3.50D	-6.00
	Transitions XTRActive	1.67	✓SM										-14.00 to +9.00	1.75, 2.75, 3.75, 5.25, 6.50, 8.00	0.75 to 3.00D	-6.00

MFH=14mm

NOTES: All Varilux digital lenses require a hard coat. Essilor AR stacks are required when No-Glare lens treatment is applied (for example, Crizal® No-Glare lenses).

*ADD Power in steps of 0.25D. At fitting height less than 17mm, ADD power is up to +3.00.

**THIN & LITE 1.74 lenses come systematic with choice of Crizal® Previncia®, Crizal Sapphire® 360° UV, Crizal® Avancé UV™ or Crizal® Alizé UV™.

★ Available in Essential Blue Series® lenses.

G: Gray, B: Brown, GG: Graphite Green, Colors: *Transitions Signature* style colors in Sapphire, Amethyst, Amber, or Emerald, G1: Gray 1, B1: Brown 1, G-G: Gray-Green, C: Copper, R: Ruby, ESC: Essilor Sun Colors

✓ Currently Available

▼ Availability date to be announced. Current availability *Transitions Signature VII* Only.

SM Available in *Transitions XTRActive* style mirrors in the following six flash mirror colors: Gold, Silver Shadow, Blue, Green, Pink, and Red.



EssilorPRO.com/Varilux